

NEW

EASY ONE

FOR RADIOMETAL LABELING



- Easy to use & cost-effective
- Compatible with all Gallium generators
- Wide choice of tracers labeled with ^{68}Ga , ^{177}Lu , etc
- Ready-to-use consumables
- Most compact design
- Automatic traceability of disposables
- Inline filter integrity test
- Shielding solutions available

FOCUSED ON THE ESSENTIALS

EASYONE is currently the simplest synthesizer to operate in routine productions of tracers labeled with radioactive metals.

Ready-to-use consumables and predefined protocols ensure safe and reproducible conditions of each production with consistent yields. All starting materials are manufactured under GMP.

COST-EFFECTIVE SOLUTION

EASYONE's quick set-up of affordable consumables will save technologist's time. Its short and effective synthesis maximizes tracer output and extends generator usability.

COMPATIBLE WITH ALL GENERATORS

When supplied with its compatibility set, EASYONE can be associated with any commercial generator.

⁶⁸Ga generators: IRE-Elit, E&Z, iThemba, ITG, Pars Isotopes.



EASY SETUP

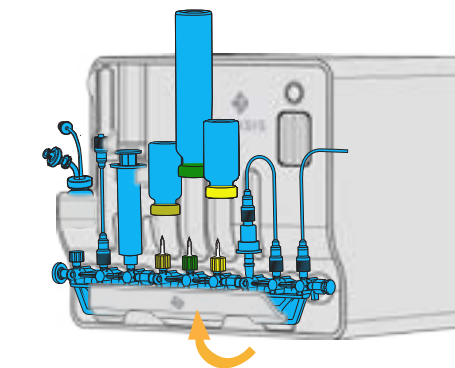
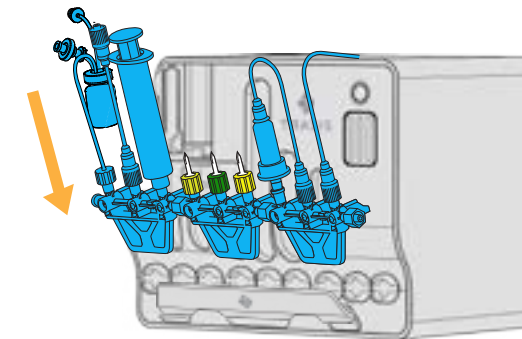
User-friendly slip & start cassettes and reagent kits with color-coded containers allow a fast set-up. Cassettes are supplied ready to use in sealed pouches.

Once scanned, the RFID tag enables the traceability of the consumables and the automatic selection of the corresponding process sequence.



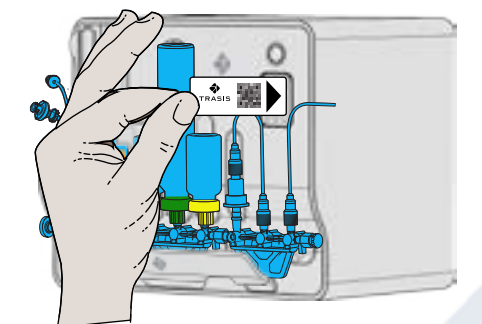
SLIP & START CASSETTE SYSTEM

Take the cassette for the intended production (⁶⁸Ga PSMA for example), drop it in the loading rack and lock the cassette.



Tilt up the cassette and snap it in place. Plug the colored coded vials on the matching positions.

Insert the tags in the slots. EASYONE is ready to start !



PROCESSES & PERFORMANCE

A wide range of processes comes along with the module. Each of them is fully automated from generator elution (when relevant) to transfer of the radio-labeled tracer into a vial. The process starts with a self-check of the equipment and cassette connections. It ends with a cycle that drains most of residual activity to a waste vial, allowing a quick replacement of the cassette. EASYONE is immediately available for the next production of whatever tracer.

EASYONE allows complexation reactions with most radiometals. The table below only shows the most common tracers. As always at Trasis, the yields are non decay corrected (ndc), which truly represent the expected output.

Isotope	Tracers*	Setup time	Synthesis time	Ndc yield
⁶⁸ Ga	⁶⁸ Ga DOTA NOC	1 min	12 min	> 80%
	⁶⁸ Ga DOTA TOC			
	⁶⁸ Ga DOTA TATE			
	⁶⁸ Ga DOTA PSMA 617			
	⁶⁸ Ga HBED PSMA 11			
¹⁷⁷ Lu	¹⁷⁷ Lu - peptides	30 min	> 99%	

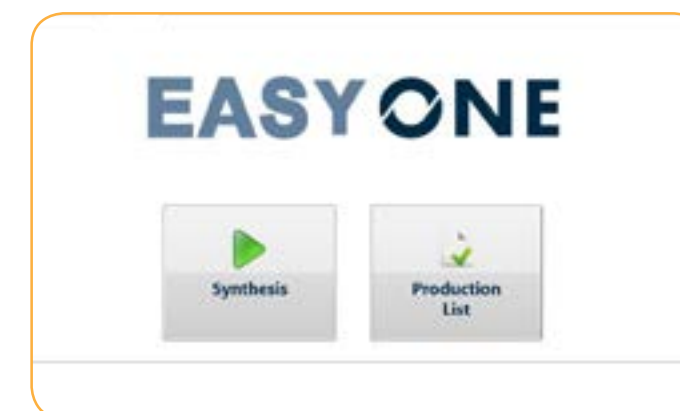
* Solutions for other radiometals are also available

STERILIZING FILTER INTEGRITY TEST

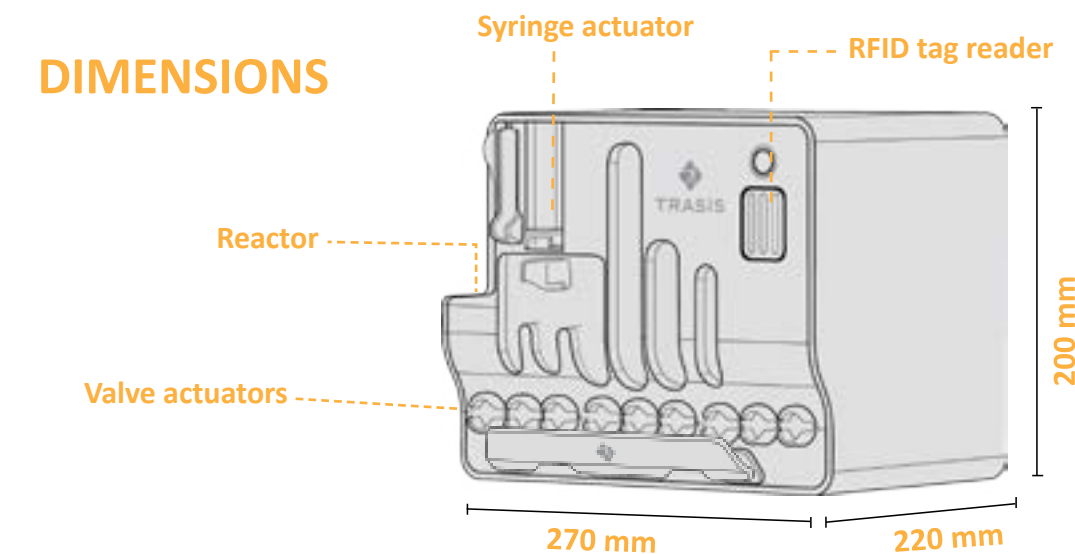
A filter integrity test is automatically performed at the end of the synthesis. The filter is left in place during the test. Thus, no operator intervention is required.

USER-FRIENDLY INTERFACE ALLOWING A REMOTE ACCESS

EASY ONE is operated by an intuitive user interface. The operator launches the processes in just few clicks. The status of the generator is displayed when relevant. A comprehensive production report is generated upon completion of the synthesis.



DIMENSIONS



TECHNICAL SPECIFICATIONS

Compatibility	With all ⁶⁸ Ga generators	
Components		
Syringe actuator	1	with pressure sensing
Reactor	1	RT to 100 C°
Radiation detectors	2	low limit 0.05 mCi
Valve actuators	9	electrically driven
Communication		
Ethernet connection	1	
Extension ports for	- optional fire metering pump - additional valve actuators - additional radiodetectors - additional inputs and outputs	

SERVICES

Customer Support

Trasis is praised for the excellence of its support services.

The support team includes highly skilled software engineers, mechanical, design engineers and PhD chemists. They provide phone, remote and online support on short notice as well as on-site interventions.

Custom Development

In support to your development, production or commercial objectives, our multidisciplinary team can design and build custom solutions that meet your specific goals. Please feel free to call and discuss the topic.

Regulatory Assistance

Our consulting and technical regulatory assistance to customers includes:

- manufacturing file, including ASMF/DMF
- analytical method development
- stability studies

Training

Training includes hardware and software features, best practices or process design examples which ensure an optimal understanding of our equipment. Training sessions can be performed on site, on our premises or remotely.

ABOUT TRASIS

At Trasis our primary focus is allowing the medical community to access new radiolabeled therapeutic and diagnostic substances easier and faster. For this purpose, we design, manufacture, sell and support high performance synthesizers, dose preparation equipment, their shielding and accessories. We also develop customized synthetic methods, instruments and consumables. We can provide GMP Active Pharmaceutical Ingredients (API) and assist our customers with their regulatory affairs.

Our proven radiopharmaceutical expertise, coupled with our high-end instruments allows us to provide fully integrated solutions for effective tracer production and faster transition from drug development to marketing authorization. Our equipment is used worldwide in nuclear medicine departments, research centers, radiopharmaceutical production facilities and pharmaceutical companies.